



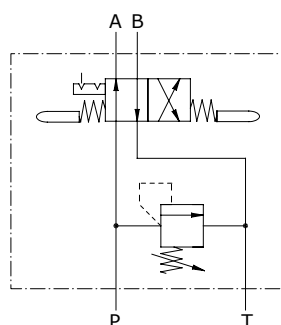
Type SD../IAM automatic reversing valves

- Mechanical control
- Cast iron body

Technical specifications and diagrams are measured with mineral oil of 46 cSt viscosity at 40°C (104°F) temperature.

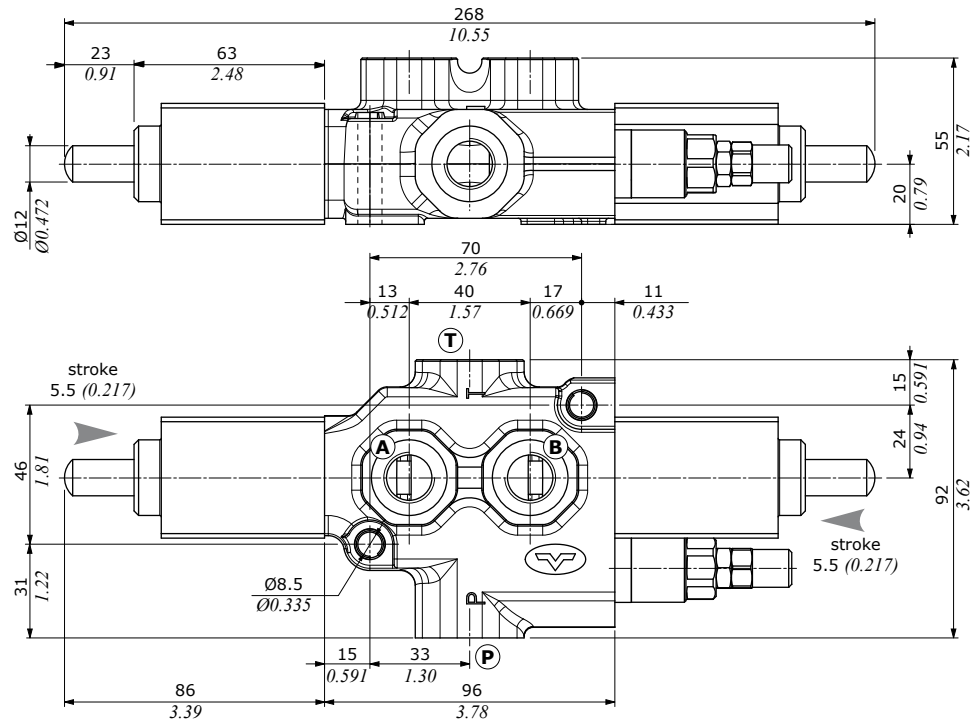
	SD4/IAM 38-12	SD11/IAM 12
Nominal flow	35 l/min (9.2 US gpm)	65 l/min (17.2 US gpm)
Max. pressure	210 bar (3050 psi)	
Fluid	mineral based oil	
Viscosity	from 10 to 200 cSt	
Max. level of contamination	18/16/13 ISO4406	
Fluid temperature	with NBR seals from -20°C (-4°F) to 80°C (176°F)	
Environmental temp. for working conditions	from -40°C (-40°F) to 100°C (212°F)	
Weight	cast iron 2.45 kg (5.40 lb)	6.16 kg (13.58 lb)

NOTE - For different conditions, please contact Walvoil Sales Dpt.

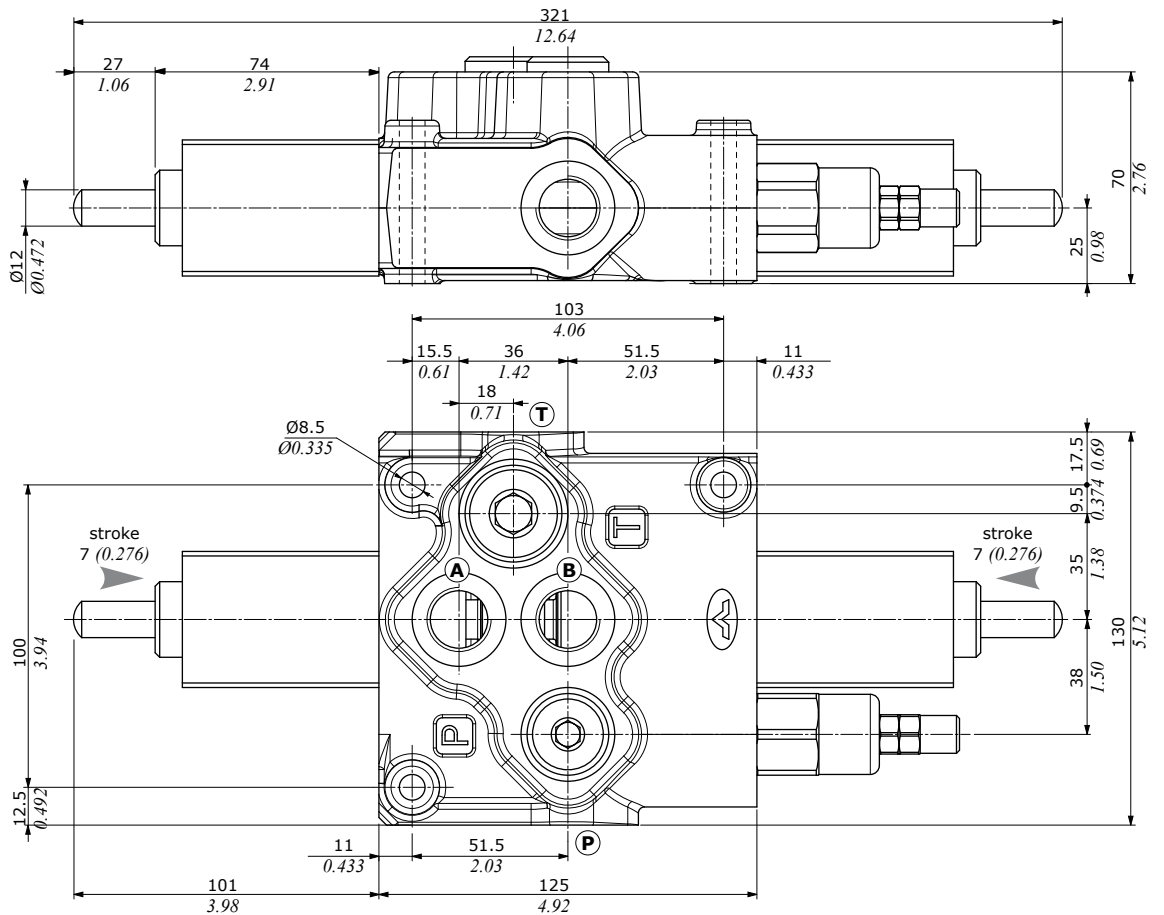


Dimensions

Valve type	All ports
SD4/IAM 38	G3/8
SD4/IAM 12	G1/2



Valve type	P	A	B	T
SD11/IAM 12	G1/2	G3/4		



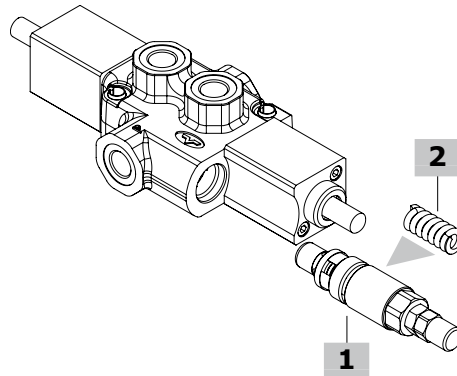
Ordering codes and description composition

Port size

SD4/IAM 38/VMP 5.TS.S/gh

2

1



SD../IAM complete valves

Configuration with G3/8 ports

TYPE: **SD4/IAM 38/VMP 5.TS.S/gh** CODE: 1910023102
 DESCRIPTION: With pressure relief valve, range 50-220 bar (725-3200 psi), std. setting 160 bar @ 5 l/min (2320 psi @ 1.32 US gpm)
 TYPE: **SD4/IAM/SV 38/gh** CODE: 1910023103
 DESCRIPTION: Without pressure relief valve

Configuration with G1/2 ports

TYPE: **SD4/IAM 12/VMP 5.TS.S/gh** CODE: 1910023152
 DESCRIPTION: With pressure relief valve, range 50-220 bar (725-3200 psi) std. setting 160 bar @ 5 l/min (2320 psi @ 1.32 US gpm)
 TYPE: **SD11/IAM 12/VMP 10.TS.S/gh** CODE: 1910033102
 DESCRIPTION: With pressure relief valve, range 50-220 bar (725-3200 psi) std. setting 160 bar @ 5 l/min (2320 psi @ 1.32 US gpm)
 TYPE: **SD4/IAM/SV 12/gh** CODE: 1910023153
 DESCRIPTION: Without pressure relief valve
 TYPE: **SD11/IAM/SV 12/gh** CODE: 1910033103
 DESCRIPTION: Without pressure relief valve
 For different port threads configuration, SAE thread and configurations with FPM (Viton) seals, please contact our Sales Dpt.

1 Pressure relief valves

TYPE	CODE	DESCRIPTION
VMP 5/TS.S	1100520400	For SD4 valve, range 50-220 bar (725-3200 psi)
VMP 10/TS.S	1100530400	For SD11 valve, range 50-220 bar (725-3200 psi)

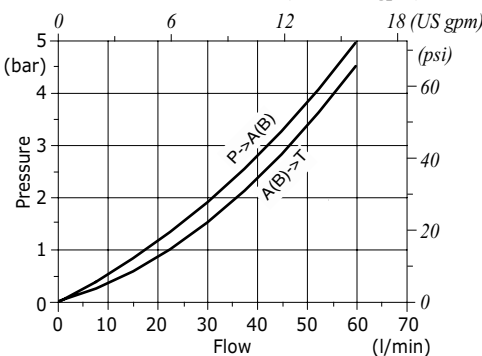
2 Pressure setting spring

TYPE	CODE	DESCRIPTION
For VMP 5 valve		
TB	3MOL314311	Setting range 5-40 bar (72.5-580 psi)
TV	3MOL314330	Setting range 20-80 bar (290-1160 psi)
TS	3MOL315330	Setting range 50-220 bar (725-3200 psi)
For VMP 10 valve		
TB	3MOL316410	Setting range 5-40 bar (72.5-580 psi)
TV	3ML1154300	Setting range 20-80 bar (290-1160 psi)
TS	3MOL317420	Setting range 50-220 bar (725-3200 psi)

Rating diagrams

SD4/IAM 38 pressure drop vs. flow

Std. setting at 5 l/min (1.32 US gpm)



SD11/IAM 12 pressure drop vs. flow

Std. setting at 5 l/min (1.32 US gpm)

